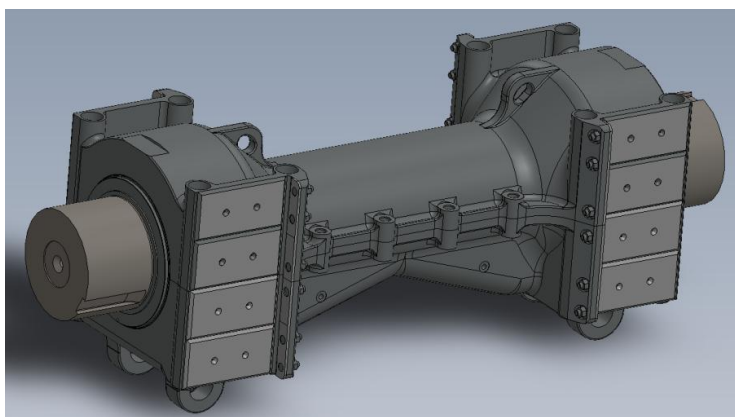


CANNONBOX ASSEMBLY

Intermediate & Trailing Positions



CANNONBOX DETAILS PRICE LIST

ITEM	DESCRIPTION		QTY	PRICE EACH
1		<p>LABYRINTH SEAL RING Major Diameter 12.75 inches Width 2.187 inches Material: Mild Steel</p>	4	£425
2		<p>THROWER RING Major Diameter 12.5 inches Width 3.062 inches Material: High Tensile Steel</p>	4	£450
3		<p>ABUTMENT RING Major Diameter 12.25 inches Width 1.438 inches Material: High Tensile Steel</p>	4	£450
4		<p>BACKPLATE LINER Size: 8.375 inches x 4 inches Thickness: 0.25 inches Material: Manganese steel 4 x 4 per Cannonbox = 16</p> <p>SIDEPLATE LINER (Handed) Size: 9 inches x 1.25 inches Thickness: 0.25 inches Material: Manganese steel 4 x 2 per Cannonbox = 8</p>	32	£30